

LONG STROKE PINCH VALVE



This powerful pinch valve provides the same functionality as Clippard's standard NPV series but with the added benefits of a longer stroke. This makes it ideal for applications that require greater flow or those that utilize viscous or particulate-laden media. As with all Clippard pinch valves, each valve comes pre-installed with 12" (30 cm) of your choice of standard medical/laboratory grade or sanitary food grade silicone tubing.

Do you have an application that requires a special type of tubing? All Clippard pinch valves are compatible with a wide range of tubing. Contact us to discuss your specific needs.

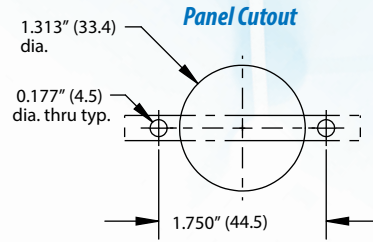
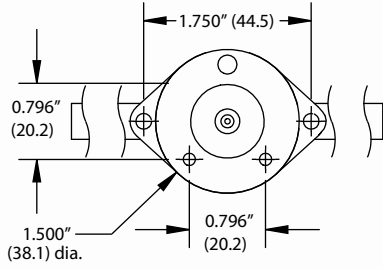
- Unobstructed flow path
- Each valve comes with 12" (30 cm) of silicone tubing pre-installed
- Tubing is easily replaceable
- Higher flow
- Longer stroke

Connection	18" (45 cm) wire leads
Documentation	IEC, RoHS
Function	2-way normally-closed
Material, Body	Stainless steel and aluminum (ENP)
Material, Wetted	Silicone tubing (<i>no wetted areas in valve</i>)
Medium	Air, water, gas, or compatible fluids
Mount	Panel
Operating Pressure	0 to 20 psig (0 to 1.4 bar) with standard medical / laboratory grade silicone tubing
Operating Temperature	-20 to 158°F (-29 to 70°C)
Response Time	50 ms
Typical Current-Limiting Configurations*	100% duty cycle, hit at 24V, hold at 6V; 50% duty cycle, hit at 24V, hold at 12V with 38 kHz pwm
Voltage	24 VDC
Wattage	72 watts
More Details	clippard.com/link/npv7

**Note: It is not recommended to use this valve without the addition of current-limiting circuitry (i.e., hit and hold circuit and/or pwm). On its own, the valve surface will reach temperatures exceeding 140°F (60°C) and will become a burn hazard.*

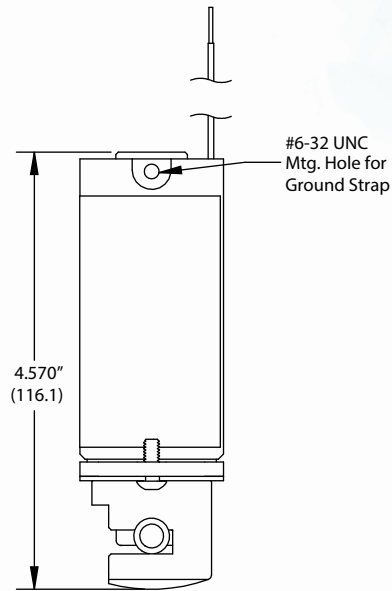
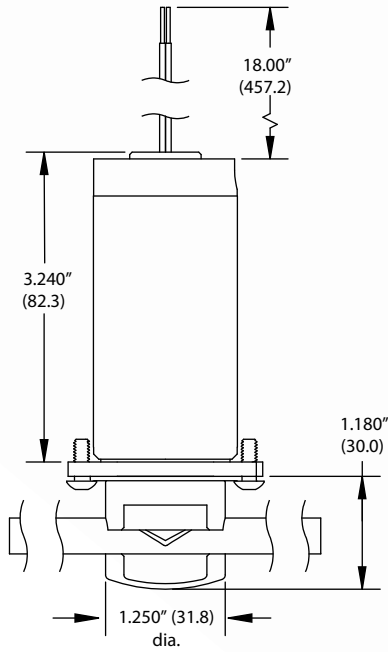
Applications

- Medical and analytical testing
- Dialysis
- Blood analysis and processing
- Peptide synthesis
- DNA synthesis
- Bioreactors
- Bioprocessing
- Inkjet printing
- Liquid and gas chromatography
- Drug manufacturing
- Chemical processing
- Controlling the flow of chemical liquids and slurries
- Water and wastewater treatment
- Precision control of chemical injections
- Food processing
- Pulp processing
- Handling abrasive or viscous fluids



Dimensions shown are in inches (millimeters listed in parentheses).

Visit clippard.com for more detailed 2D and 3D drawings.



ORDERING INFORMATION

N P V 7 - 1 C P - - 2 4

Tubing*

06
07
27

*Use the chart below to identify the appropriate tubing based on the desired specifications.

Tubing Type	Max. Pressure	Tubing I.D.	Tubing O.D.	Tubing Wall	Tubing
Medical/Laboratory Grade Silicone Tubing	20 psig (1.4 bar)	3/16" (4.8 mm)	5/16" (7.9 mm)	1/16" (1.6 mm)	06
	10 psig (0.7 bar)	1/4" (6.4 mm)	3/8" (9.5 mm)	1/16" (1.6 mm)	07
Sanitary Food Grade Silicone Tubing	9 psig (0.6 bar)	1/4" (6.4 mm)	3/8" (9.5 mm)	1/16" (1.6 mm)	27

Example Part Number:

NPV7-1CP-06-24

For more info, scan the QR code or visit

clippard.com/link/npv7

